



TECHNICAL SPECIFICATION

Envirotainer[®] container CLD

Cooling system

Thermostat controlled heat exchanger powered by 16 D-size alkaline batteries and using dry ice as coolant.

| | |
|---|-------------------------------|
| Max ice bunker capacity when using block ice (Up to 50% less capacity if dry ice pellets are used) | 35 kg 77 lbs |
| Cooling range* (Desired temperature in the container) | -20 to +20 °C -4 to +68 °F |
| Operating period without re-icing and battery change* | 84 hr |

Dimensions

| | |
|---|--|
| External cube (volume) | 0.61 m ³ 21.5 cu.ft |
| External dimensions (L x W x H) | 1010 x 760 x 800 mm 39.8 x 30.0 x 31.5 in |
| Internal dimensions allowed for cargo (L x W x H) | 590 x 570 x 470 mm 23.2 x 22.4 x 18.5 in |
| Internal cube for refrigerated cargo | 0.158 m ³ 5.57 cu.ft |

Weight

| | |
|--------------------------------------|-------------------|
| Tare weight | 72 kg 159 lbs |
| Max gross weight (including dry ice) | 400 kg 882 lbs |
| Max net weight | 328 kg 723 lbs |

Other information

Useable for all wide and many narrow body aircraft

The official airline code for this container is JYP

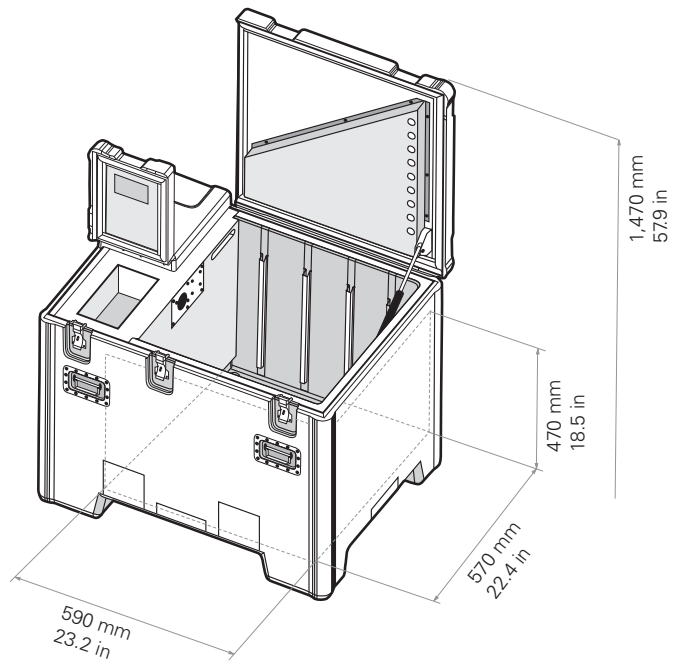
Forkliftable from two sides with a slot-height of 100 mm (3.94 in)

Internal circulation fan provides an even temperature in cargo space

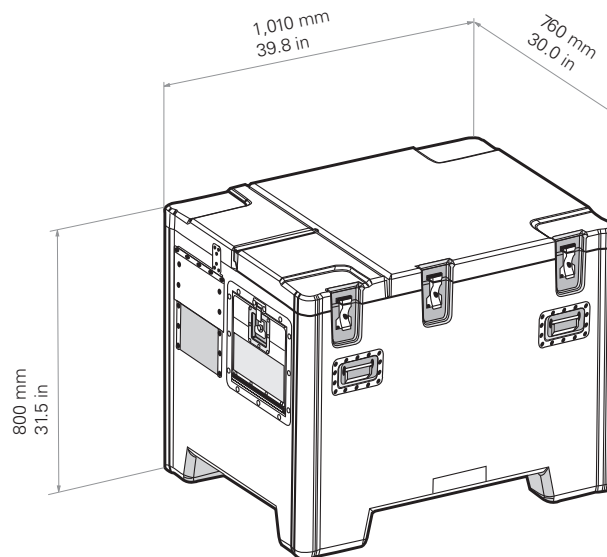
Vacuum insulated panels

* Provided that ambient temperature is more than 5°C (9°F) and less than 25°C (45°F) higher than the temperature of the product shipped. To evaluate specific transportation times and conditions, please refer to the Operations manual.

Internal dimensions



External dimensions



Contact information

It is easy to implement and work with an Envirotainer[®] solution. We offer a range of container types for convenient short and long term leasing from a worldwide network of stations. Please contact one of our three operations centers for container leases or visit www.envirotainer.com for more information.

Frankfurt Operations Center

Phone: +49 69 69 76 79 0
Fax: +49 69 69 76 79 27

Sydney Operations Center

Phone: +61 2 9669 2245
Fax: +61 2 9669 2247

Dallas Operations Center

Phone: +1 972 831 3800
Toll-free: +1 800 227 8298*
Fax: +1 972 831 3829
Toll-free: +1 866 290 9900*

* USA & Canada only

www.envirotainer.com

Envirotainer is a registered trademark of the company Envirotainer AB. All rights reserved.

Containers may diverge from the specifications indicated above. However, this will not affect the function of the container in question. The Buyer/Lessee is aware of this and may not raise any claims due to such divergencies.